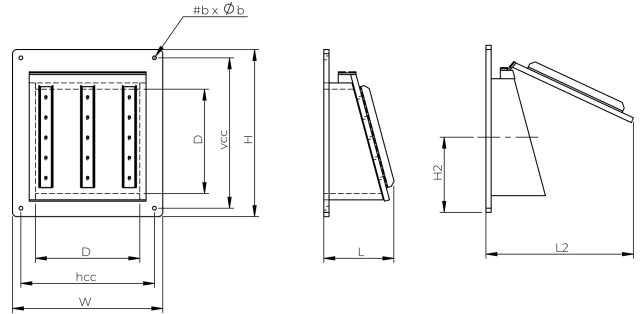


WAGATE® KLAFFLUCKOR

TECHNICAL SPECIFICATION

Model no.	KKL 1000X1000
Weight	205 kg
Max On-seating Pressure	5 mH ₂ O
Dimension	1000 mm
vcc	150 mm
hcc	150 mm
Øb	18 mm
#b	18
Max On-seating Pressure	5 mH ₂ O
L2	1180 mm
L3	370 mm
Inner Diameter	923.60 mm
Outer Diameter	1000 mm
W	1220 mm
H1	1300 mm
L	490 mm



- Tests performed at room temperature (16-20°C).
 - Reference point measured from bottom of pipe."