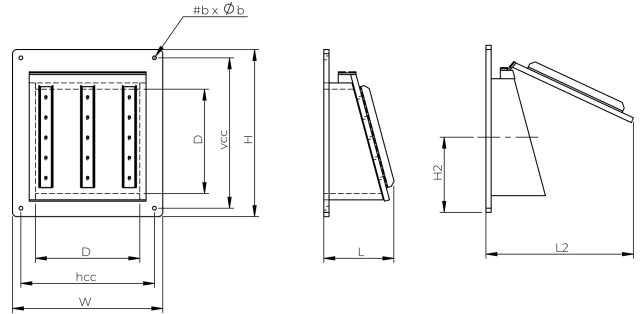


# WAGATE® KLAFFLUCKOR

## TECHNICAL SPECIFICATION

<b>Model no.</b>	KKL 900X900
<b>Weight</b>	160 kg
<b>Max On-seating Pressure</b>	5 mH <sub>2</sub> O
<b>Dimension</b>	900 mm
<b>vcc</b>	150 mm
<b>hcc</b>	150 mm
<b>Øb</b>	18 mm
<b>#b</b>	20
<b>Max On-seating Pressure</b>	5 mH <sub>2</sub> O
<b>L2</b>	1050 mm
<b>L3</b>	370 mm
<b>Inner Diameter</b>	831.20 mm
<b>Outer Diameter</b>	900 mm
<b>W</b>	1120 mm
<b>H1</b>	1200 mm
<b>L</b>	450 mm



- Tests performed at room temperature (16-20°C).  
 - Reference point measured from bottom of pipe."