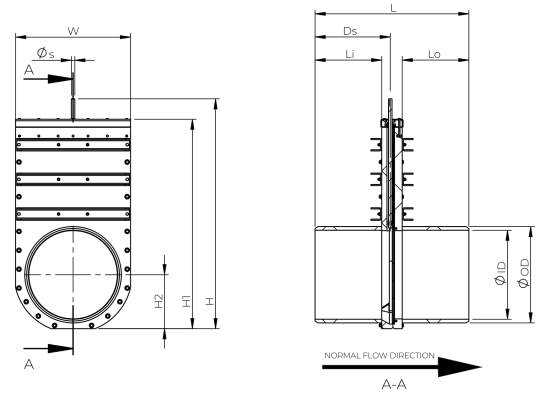


WAGATE® AVSTÄNGNINGSVENTILER

TECHNICAL SPECIFICATION

Model no.	SVM-TG160
Nominal Diameter	DN/OD 160
Available valve body mtrl.	PE
Fasteners mtrl.	AISI 316, Marine grade Stainless Steel
Weight	14 kg
Max On-seating Pressure	40 mH ₂ O
Torque nm	11.00 nm
Thread pitch	4 mm
Dimension	160 mm
Øs	16 mm
Torque nm	11 nm
Thread pitch	4 mm
Max On-seating Pressure	40 mH ₂ O
L1	150 mm
Thickness valve body	162 mm
Inner Diameter	141 mm
Outer Diameter	160 mm
W	253 mm
H1	480 mm
L	396 mm
Sealed for one-sided pressure	1



- Tests performed at room temperature (16-20°C).
 - Reference point measured from bottom of pipe."