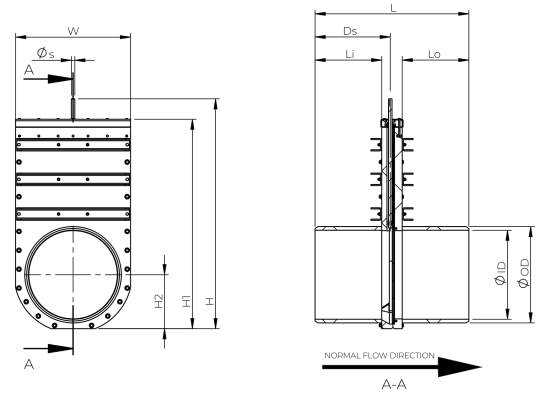


WAGATE® AVSTÄNGNINGSVENTILER

TECHNICAL SPECIFICATION

Model no.	SVM-TG200
Nominal Diameter	DN/OD 200
Available valve body mtrl.	PE
Fasteners mtrl.	AISI 316, Marine grade Stainless Steel
Weight	19 kg
Max On-seating Pressure	40 mH ₂ O
Torque nm	16.00 nm
Thread pitch	4 mm
Dimension	200 mm
Øs	16 mm
Torque nm	16 nm
Thread pitch	4 mm
Max On-seating Pressure	40 mH ₂ O
L1	150 mm
Thickness valve body	162 mm
Inner Diameter	176.20 mm
Outer Diameter	200 mm
W	288 mm
H1	539 mm
L	396 mm
Sealed for one-sided pressure	1



- Tests performed at room temperature (16-20°C).
 - Reference point measured from bottom of pipe."