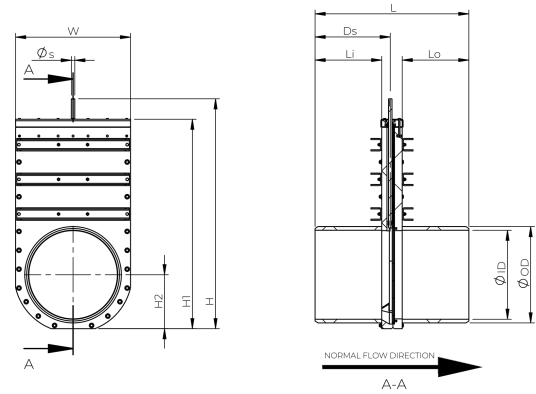


# WAGATE® AVSTÄNGNINGSVENTILER

## TECHNICAL SPECIFICATION

Model no.	SVM-TG250
Nominal Diameter	DN/OD 250
Available valve body mtrl.	PE
Fasteners mtrl.	AISI 316, Marine grade Stainless Steel
Weight	33 kg
Max On-seating Pressure	40 mH <sub>2</sub> O
Torque nm	22.00 nm
Thread pitch	4 mm
Dimension	250 mm
Øs	16 mm
Torque nm	22 nm
Thread pitch	4 mm
Max On-seating Pressure	40 mH <sub>2</sub> O
L1	250 mm
Thickness valve body	96 mm
Inner Diameter	220.40 mm
Outer Diameter	250 mm
W	330 mm
H1	636 mm
L	596 mm
Sealed for one-sided pressure	1



- Tests performed at room temperature (16-20°C).  
 - Reference point measured from bottom of pipe."