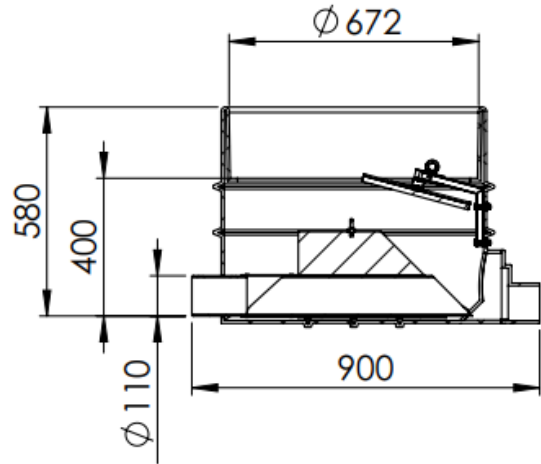


# WABACK<sup>®</sup> BACKVENTIL

## TECHNICAL SPECIFICATION

Model no.	WB110-600
Nominal Diameter	DN/OD 110
Fasteners mtrl.	AISI 316, Marine grade Stainless Steel
Weight	24 kg
Riser	600 mm
Chamber Diameter	600 mm
Invert-Ground min.	650 mm
Construction length	900 mm
Dimension	110 mm
RSK	2359705
Closing Head	100 mmH <sub>2</sub> O



- Tests performed at room temperature (16-20°C).
- Actual values may vary within +/- 15%.
- Reference point measured from bottom of pipe.