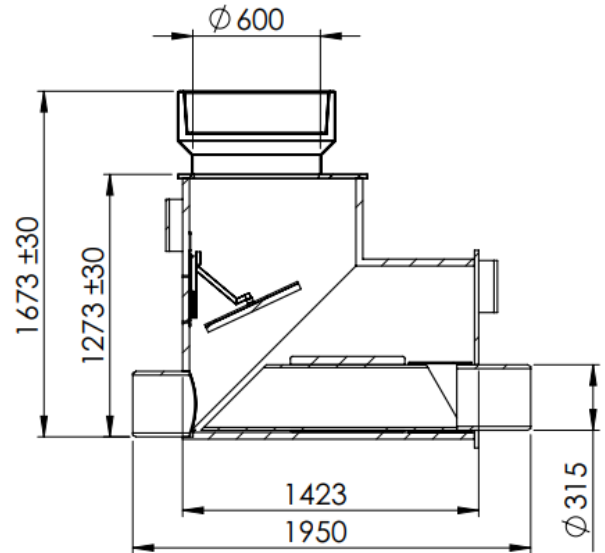


WABACK[®] BACKVENTIL

TECHNICAL SPECIFICATION

Model no.	WB315-800
Nominal Diameter	DN/OD 315
Fasteners mtrl.	AISI 316, Marine grade Stainless Steel
Weight	29 kg
Riser	645 mm
Chamber Diameter	800 mm
Invert-Ground min.	1700 mm
Construction length	1950 mm
Dimension	315 mm
RSK	2360098
Closing Head	150 mmH ₂ O



- Tests performed at room temperature (16-20°C).
- Actual values may vary within +/- 15%.
- Reference point measured from bottom of pipe.